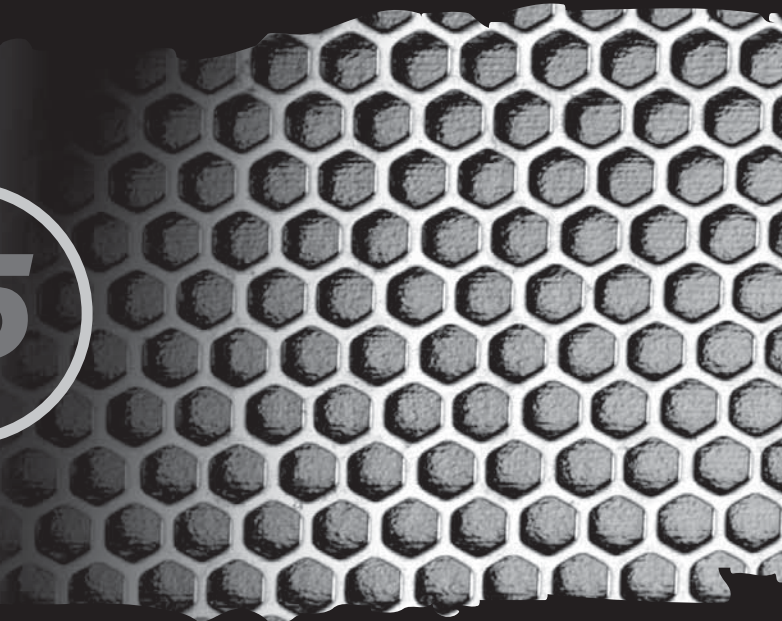




**L5**



**KICKER®**  
**SOLO-BARIC SUBWOOFER ENCLOSURE**

**DS12L5, DS10L5, VS12L5, TS10L5**



Solo-Baric L5 Subwoofer  
Enclosure Owner's Manual

Models: DS12L5 / DS10L5 / VS12L5 / TS10L5

**Congratulations on your KICKER purchase**

Please record your purchase information and keep your sales receipt for validation of warranty.

Authorized Kicker Dealer: \_\_\_\_\_  
 Purchase Date: \_\_\_\_\_  
 Enclosure Model Number: \_\_\_\_\_  
 Enclosure Serial Number: \_\_\_\_\_

**CheckTheLoad**

The Solo-Baric subwoofer enclosures are internally wired for a 2 or 4 ohm load at the speaker-wire connection terminal. Please refer to this terminal or the box packaging for your enclosure's specific impedance. Check to see if your amplifier is optimized to drive this load.

**DS/VS Vented**

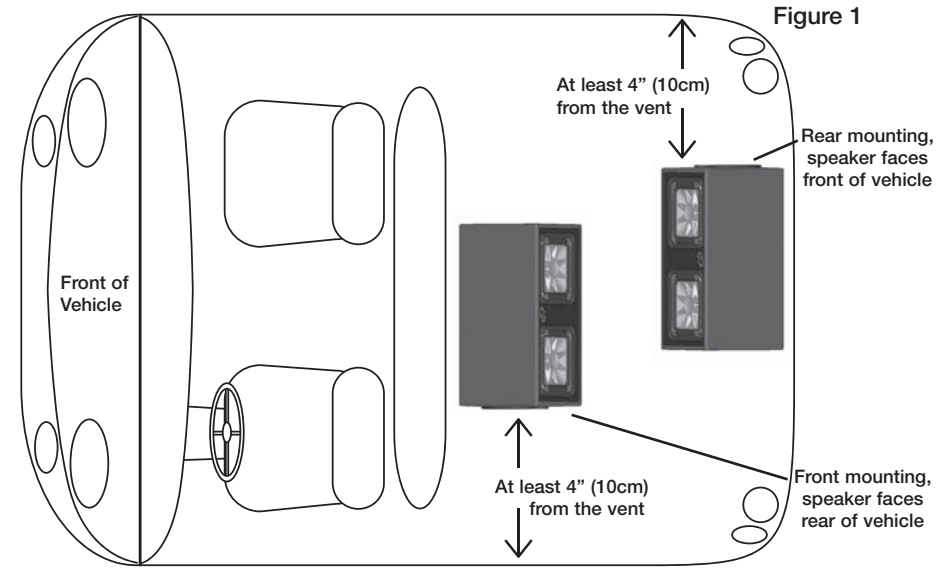
The DS and VS Series vented enclosures combine KICKER's award winning Solo-Baric subwoofers with computer-modeled and human fine-tuned enclosures to offer a level of bass performance never before thought possible from a commercially available, ready-to-install subwoofer system. The DS Series enclosures are available with a pre-loaded pair of 10 or 12 inch Solo-Baric L5, and the VS Series has a 12 inch Solo-Baric L5.

The location and orientation of your enclosure will affect the quality and quantity of the bass. Designed for use in SUV and sedan type vehicles, these enclosures offer you several mounting options. The vent opening in these enclosures can not be obstructed. At some frequencies most of the bass will come out of the vent. Therefore we recommend you leave at least four inches (10cm) of clear space around the vent.

If the enclosure is to be mounted all the way in the back of the vehicle, it works best to point the woofer toward the front of the vehicle. Conversely, if the enclosure is going to be mounted closer to the back seat, pointing the woofer toward the rear of the vehicle will give you the best results. These guidelines pertain to enclosures mounted in the vehicle as outlined in Figure 1.

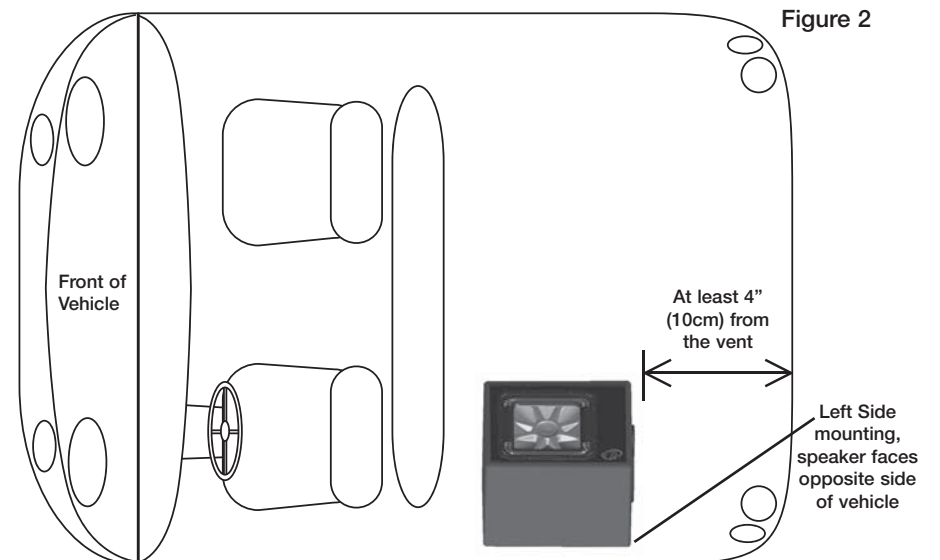
If it is more convenient to mount the enclosure along a side wall, put the enclosure on the left side of the vehicle as outlined in Figure 2. This orientation will make the vent point toward the rear of the vehicle and will produce the most low bass output. Remember to leave at least four inches (10cm) of room between the enclosure and the back of the vehicle.

After determining the best mounting position, carefully check the areas where the mounting brackets will be placed. Make sure the mounting screws will not puncture the gas tank, brake lines, wiring, or interfere with any mechanical parts on the underside of the mounting surface. Turn the enclosure upside-down, pre-drill the holes using a 7/64" (2.5mm) bit and attach the four mounting brackets to the bottom of the enclosure using the supplied smaller



screws. Each bracket must be positioned so the rounded end protrudes approximately 3/4" (2cm) from under the cabinet to allow a screw to easily pass through the bracket, securing the enclosure to the vehicle. See Figure 4.

Plug your subwoofer speaker wire into the terminals, using the red connector as positive and the black connector as negative. Hook the other end of the wire to your subwoofer amplifier in accordance with its owner's manual. With the enclosure right side up, securely attach the enclosure to the vehicle with the supplied larger screws. If the supplied hardware is not applicable to your installation, some other means of securely attaching the enclosure to the vehicle must be used.



Please allow two weeks of break-in time for the subwoofer to reach optimum bass performance.

INSTALLATION

CONFIGURATION

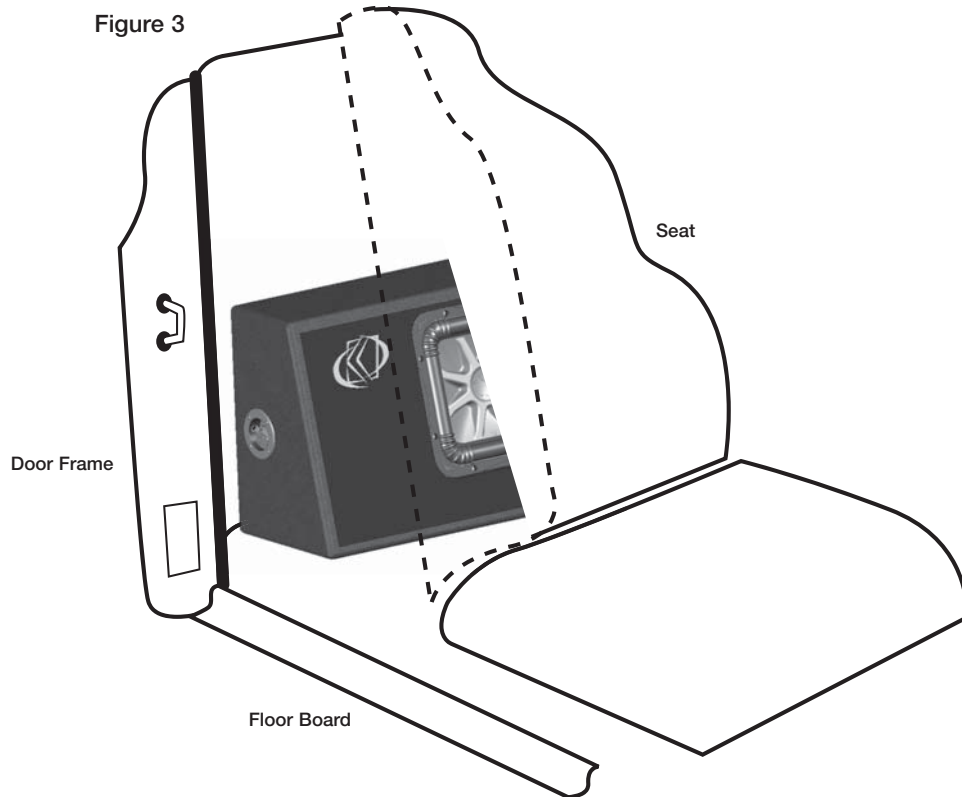
## TSVented

The TS Series vented enclosure combines KICKER's award winning Solo-Baric subwoofers with computer-modeled and human fine-tuned enclosures to offer a level of bass performance never before thought possible from a commercially available, ready-to-install subwoofer system. The TS Series enclosure is available with a pre-loaded 10 inch Solo-Baric L5.

The Kicker TS Series enclosure is designed to fit behind the seat of a pickup truck, coupe or wherever space is limited. This design is engineered to provide the best bass response when firing into the back of the seat.

Plug your subwoofer speaker wire into the terminals, using the red connector as positive and the black connector as negative. Hook the other end of the wire to your subwoofer amplifier in accordance with its owner's manual.

Figure 3



### SafetyWarning

To avoid potential injury, or possible death, from forward movement of the enclosure during abrupt stops or accidents, the enclosure must be properly installed and securely fastened to your vehicle. You are solely responsible for securely fastening the enclosure in your vehicle.

Figure 4



Mount Brackets to the bottom of the enclosure using the supplied smaller screws. Securely attach the enclosure to the vehicle with the supplied larger screws.

### Performance

Model:	DS10L5	DS12L5
Nominal Impedance [Zn], ohm [per enclosure]	2 or 4	2 or 4
Power Handling* Watts, Peak (RMS)	1800 (900)	2400 (1200)
Enclosure Top Surface Depth, in (cm)	15 (38.1)	16 3/8 (41.5)
Enclosure Bottom Surface Depth, in (cm)	18 (45.6)	19 9/16 (49.7)
Enclosure Height, in (cm)	14 (35.6)	16 (40.6)
Enclosure Width, in (cm)	28 (71.1)	32 3/8 (82.2)

Model:	VS12L5	TS10L5
Nominal Impedance [Zn], ohm [per enclosure]	2 or 4	2 or 4
Power Handling* Watts, Peak (RMS)	1200 (600)	900 (450)
Enclosure Top Surface Depth, in (cm)	14 11/16 (37.2)	6 11/16 (16.9)
Enclosure Bottom Surface Depth, in (cm)	18 (45.7)	10 (25.4)
Enclosure Height, in (cm)	16 (40.6)	15 (38.1)
Enclosure Width, in (cm)	18 3/4 (47.6)	21 1/2 (54.6)

Measurements are based on the 4 ohm enclosures. Note: The use of a subsonic filter will significantly increase the power handling. The power handling specifications in these charts are calculated using a 25Hz, 24dB per octave subsonic filter.

\*Power Handling Watts RMS without subsonic filter: DS10L5-300, DS12L5-300, VS12L5-150, TS10L5-450

Kicker warrants this product to be free from defects in material and workmanship under normal use for a period of THREE (3) MONTHS from date of original purchase with receipt. When purchased from an Authorized KICKER Dealer it is warranted for ONE (1) YEAR from date of original purchase with receipt. In all cases you must have the original receipt. Should service be necessary under this warranty for any reason due to manufacturing defect or malfunction during the warranty period, Kicker will repair or replace (at its discretion) the defective merchandise with equivalent merchandise at no charge. Warranty replacements may have cosmetic scratches and blemishes. Discontinued products may be replaced with more current equivalent products.

This warranty is valid only for the original purchaser and is not extended to owners of the product subsequent to the original purchaser. Any applicable implied warranties are limited in duration to a period of the express warranty as provided herein beginning with the date of the original purchase at retail, and no warranties, whether express or implied, shall apply to this product thereafter. Some states do not allow limitations on implied warranties; therefore these exclusions may not apply to you. This warranty gives you specific legal rights; however you may have other rights that vary from state to state.

#### WHAT TO DO IF YOU NEED WARRANTY OR SERVICE

Defective merchandise should be returned to your local Authorized Stillwater Designs (Kicker) Dealer for warranty service. Assistance in locating an Authorized Dealer can be found at [www.kicker.com](http://www.kicker.com) or by contacting Stillwater Designs directly. You can confirm that a dealer is authorized by asking to see a current authorized dealer window decal.

If it becomes necessary for you to return defective merchandise directly to Stillwater Designs (Kicker), call the Kicker Customer Service Department at (405) 624-8510 for a Return Merchandise Authorization (RMA) number. Package only the defective items in a package that will prevent shipping damage, and return to:

Stillwater Designs, 5021 North Perkins Road, Stillwater, OK 74075

The RMA number must be clearly marked on the outside of the package. Please return only defective components. The return of functioning items increases your return freight charges. Non-defective items will be returned freight-collect to you. For example, if a subwoofer is defective, only return the defective subwoofer, not the entire enclosure.

Include a copy of the original receipt with the purchase date clearly visible, and a "proof-of-purchase" statement listing the Customer's name, Dealer's name and invoice number, and product purchased. Warranty expiration on items without proof-of-purchase will be determined from the type of sale and manufacturing date code. Freight must be prepaid; items sent freight-collect, or COD, will be refused.

#### WHAT IS NOT COVERED?

This warranty is valid only if the product is used for the purpose for which it was designed.

It does not cover:

- o Damage due to improper installation
- o Subsequent damage to other components
- o Damage caused by exposure to moisture, excessive heat, chemical cleaners, and/or UV radiation
- o Damage through negligence, misuse, accident or abuse. Repeated returns for the same damage may be considered abuse
- o Any cost or expense related to the removal or reinstallation of product
- o Speakers damaged due to amplifier clipping or distortion
- o Items previously repaired or modified by any unauthorized repair facility
- o Return shipping on non-defective items
- o Products with tampered or missing barcode labels
- o Products returned without a Return Merchandise Authorization (RMA) number
- o Freight Damage
- o The cost of shipping product to Kicker
- o Service performed by anyone other than Kicker

#### HOW LONG WILL IT TAKE?

Kicker strives to maintain a goal of 24-hour service for all acoustics (subwoofers, midrange and coaxial drivers, tweeters, crossovers, etc) returns. Delays may be incurred if lack of replacement inventory or parts is encountered.

Failure to follow these steps may void your warranty. Any questions can be directed to the Kicker Customer Service Department at (405) 624-8510.

Note: All specifications and performance figures are subject to change. Please visit the [www.kicker.com](http://www.kicker.com) for the most current information. To get the best performance from your new Kicker Subwoofer, we recommend using genuine Kicker Accessories and Wiring.

Contact your International Kicker dealer or distributor concerning specific procedures for your country's warranty policies.

WARNING: KICKER products are capable of producing sound levels that can permanently damage your hearing! Turning up a system to a level that has audible distortion is more damaging to your ears than listening to an undistorted system at the same volume level. The threshold of pain is always an indicator that the sound level is too loud and may permanently damage your hearing. Please use common sense when controlling volume.

#### **GARANTÍA INTERNACIONAL** *Versión Español*

Comuníquese con su concesionario o distribuidor Kicker internacional para obtener información sobre procedimientos específicos relacionados con las normas de garantía de su país.

ADVERTENCIA: Los excitadores Kicker son capaces de producir niveles de sonido que pueden dañar permanentemente el oído. Subir el volumen del sistema hasta un nivel que produzca distorsión es más dañino para el oído que escuchar un sistema sin distorsión al mismo volumen. El dolor es siempre una indicación de que el sonido es muy fuerte y que puede dañar permanentemente el oído. Sea precavido cuando controle el volumen.

La frase "combustible para vivir la vida Livin' Loud™ a todo volumen" se refiere al entusiasmo por la vida que la marca Kicker de estéreos de automóvil representa y a la recomendación a nuestros clientes de que vivan lo mejor posible ("a todo volumen") en todo sentido. La línea de altavoces y amplificadores Kicker es la mejor del mercado de audio de automóviles y por lo tanto representa el "combustible" para vivir a todo volumen en el área de "estéreos de automóvil" de la vida de nuestros clientes. Recomendamos a todos nuestros clientes que obedezcan todas las reglas y reglamentos locales sobre ruido en cuanto a los niveles legales y apropiados de audición fuera del vehículo.

#### **INTERNATIONALE GARANTIE** *Deutsche Version*

Nehmen Sie mit Ihren internationalen Kicker-Fachhändler oder Vertrieb Kontakt auf, um Details über die Garantieleistungen in Ihrem Land zu erfahren.

WARNUNG: KICKER-Treiber können einen Schallpegel erzeugen, der zu permanenten Gehörschäden führen kann! Wenn Sie ein System auf einen Pegel stellen, der hörbare Verzerrungen erzeugt, schadet das Ihren Ohren mehr, als ein nicht verzerrtes System auf dem gleichen Lautstärkepegel. Die Schmerzschwelle ist immer eine Anzeige dafür, dass der Schallpegel zu laut ist und zu permanenten Gehörschäden führen kann. Seien Sie bei der Lautstärkeeinstellung bitte vernünftig!

Der Slogan "Treibstoff für Livin' Loud" bezieht sich auf die mit den Kicker-Autostereosystemen assoziierte Lebensfreude und die Tatsache, dass wir unsere Kunden ermutigen, in allen Aspekten ihres Lebens nach dem Besten ("Livin' Loud") zu streben. Die Lautsprecher und Verstärker von Kicker sind auf dem Markt für Auto-Soundsysteme führend und stellen somit den "Treibstoff" für das Autostereoelebnis unserer Kunden dar. Wir empfehlen allen unseren Kunden, sich bezüglich der zugelassenen und passenden Lautstärkepegel außerhalb des Autos an die örtlichen Lärmvorschriften zu halten.

#### **GARANTIE INTERNATIONALE** *Version Française*

Pour connaître les procédures propres à la politique de garantie de votre pays, contactez votre revendeur ou distributeur International Kicker.

AVERTISSEMENT: Les haut-parleurs Kicker ont la capacité de produire des niveaux sonores pouvant endommager l'ouïe de façon irréversible ! L'augmentation du volume d'un système jusqu'à un niveau présentant une distorsion audible endommage davantage l'ouïe que l'écoute d'un système sans distorsion au même volume. Le seuil de la douleur est toujours le signe que le niveau sonore est trop élevé et risque d'endommager l'ouïe de façon irréversible. Réglez le volume en faisant preuve de bon sens !

L'expression "carburant pour vivre plein pot" fait référence au dynamisme de la marque Kicker d'équipements audio pour véhicules et a pour but d'encourager nos clients à faire le maximum ("vivre plein pot") dans tous les aspects de leur vie. Les haut-parleurs et amplificateurs Kicker sont les meilleurs dans le domaine des équipements audio et représentent donc pour nos clients le "carburant pour vivre plein pot" dans l'aspect "installation audio de véhicule" de leur vie. Nous encourageons tous nos clients à respecter toutes les lois et réglementations locales relatives aux niveaux sonores acceptables à l'extérieur des véhicules.



**STILLWATER**  
*Designs*®

P.O. Box 459 • Stillwater, Oklahoma 74076 • U.S.A. • (405) 624-8510